



Specification Sheet

Part # HDL-PT1-XXW-XXX

Premium Series LED Troffer

PROJECT NAME	
CATALOG #	
NOTES	
FIXTURE TYPE	

Product Description

How Digital's Premium LED Troffers encompass the latest technological advances in the design of LED chips and the light fixtures that house them. The built-in thermal management system ensures the LEDs will always run at cool temperatures necessary to achieve the fixture's full long life potential. How Digital Troffers are constructed with the latest generation of long life and high efficacy LM-80 certified LED chips, together with superior photometric engineering, which ensure a durable and rugged luminaire that will operate for many years at far less power input than conventional fluorescent lamps and fixtures, without maintenance or the need to ever replace light elements. Each fixture is rated for indoor use and comes standard with 0-10V dimming and a 5 year product warranty.



Part numbers and Specifications

Model	Watts	CCT	CRI	lm/W	Luminous Flux	Voltage	Size
HDL-PT1-40W14-XXX	40W	3000°k 4000°k 5000°k	>80	>100	4,100 lm	100-277V	1' x 4'
HDL-PT1-40W22-XXX					4,100 lm		2' x 2'
HDL-PT1-60W-XXX	60W	6,150 lm			2' x 4'		
HDL-PT1-XXW-SW	40/60W	switch			variable		any

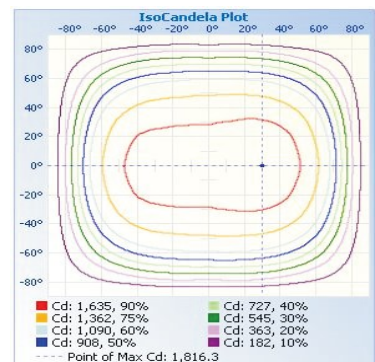
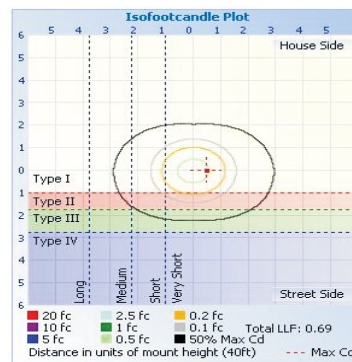
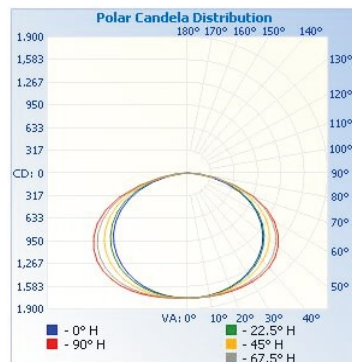
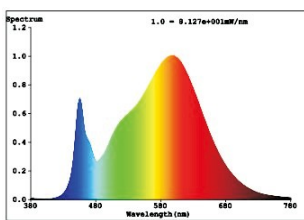
Optional Adders: EM, Sensors, Networked Lighting Controls

Mounting Options: Surface or Grid

Limited Warranty: 5 years

For additional warranty information visit www.howd.com

Photometric Data



Part # HDL-PT1-XXW-XXK

Premium Series LED Troffer



How Digital Specification Sheet

Applications

- Offices
- Classrooms
- Hospitals
- Shopping Malls
- Grocery Stores
- Hotels
- Restaurants

Product Specifications

- CCT Selectable
- High Bright SMD 2835 LED Light Source
- No flickering or dark spots
- Simple installation
- Quality materials (AL + LGP + PS)
- Low maintenance / no yellowing
- 120° Beam Angle
- Working Temperature: -4°F to 114°F
- Storage Temperature: -13°F to 139°F
- > 50,000 Lifetime Hours

Electrical System

- Input Voltage: 100 – 277 VAC (50 – 60 Hz)
- Power Factor: >95% Non-Flicker
- THD: ≥20% at Full Load
- Dimming 0-10V

Test and Certifications

- CE Certified
- UL Listed
- DLC Listed
- LM-80
- ISO9001 & ISO14001
- IES Files Available

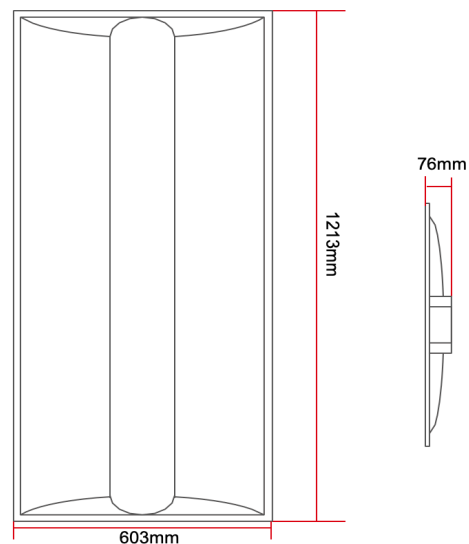


Average Illumination

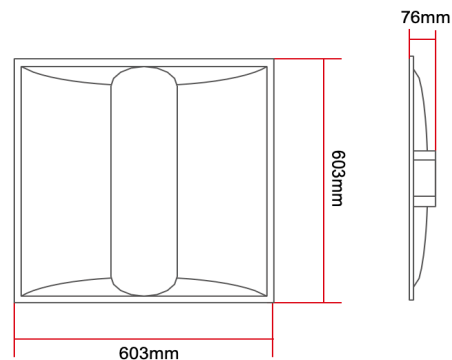
Illuminance at a Distance			
	Center Beam fc	Beam Width	
3.3ft	160.5 fc	13.4 ft	19.1 ft
6.6ft	40.1 fc	26.7 ft	38.2 ft
9.9ft	17.8 fc	40.1 ft	57.3 ft
13.2ft	10.0 fc	53.4 ft	76.5 ft
16.5ft	6.4 fc	66.8 ft	95.6 ft
19.8ft	4.5 fc	80.1 ft	114.7 ft

■ Vert. Spread: 127.4°
■ Horiz. Spread: 141.9°

Product Dimensions



2 * 4 ft



2 * 2 ft